

## GW11 03 600mm grab bar



**GW11 03 03 00**  
Galvanized steel, white



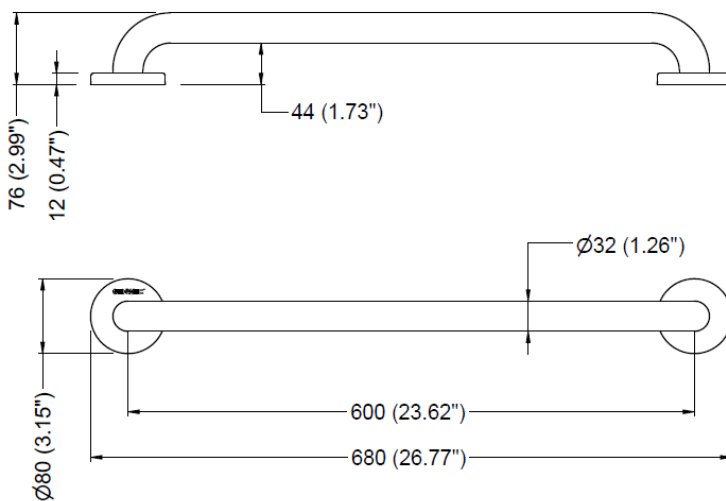
**GW11 03 04 01**  
AISI 304 stainless steel, satin



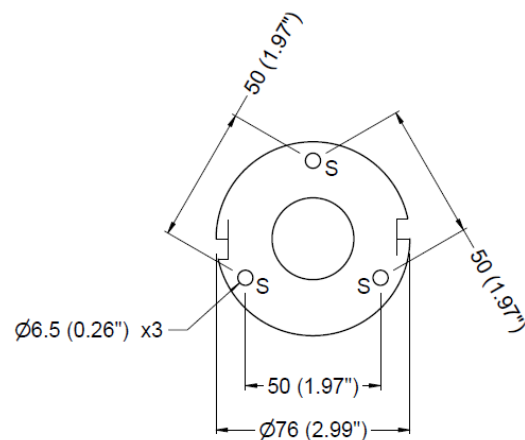
**GW11 03 04 02**  
AISI 304 stainless steel, polished



**GW11 03 04 03**  
AISI 201 stainless steel matt black



### BACK VIEW WALL MOUNTING



### TECHNICAL DATASHEET

#### COMPONENTS AND MATERIALS

- Grab bar – 1.5mm tube thickness with 32mm outside diameter. AISI 304 stainless steel (product codes GW11 03 04 01, GW11 03 04 02), AISI 201 stainless steel (GW11 03 03 00, GW11 03 04 03). Clearance between grab bar and wall is 44mm.
- Concealed mounting flanges – One piece, 2.5mm AISI 304 stainless steel. 76mm diameter with 3 holes for attachment to wall.
- Snap flange covers – One piece, 0.5mm AISI 304 stainless steel. 80mm diameter. Each cover snaps with mounting flange to conceal mounting screws.
- Fixings set – 6 mounting screws (3 per flange) 6x50mm and 6 wall plugs.

#### OPERATION

GENWEC grab bars support static and dynamic loads of 120Kg if properly installed with fixings set supplied.

**SAFETY WARNING:** Load supported depends on type of wall. Load supports supplied by GENWEC refer to grab bars being installed in brick walls with screws and wall plugs supplied. Contact manufacturer when used on other type of walls.

#### MOUNTING

Grab bar can be installed vertically or horizontally. Separate snap flange covers from mounting flanges. Use mounting flanges as template to mark location of mounting screws. Remove grab bar from wall and make sure the mark location between mounting flanges is correct before fixing grab bar to wall.

### ARCHITECTURAL SPECIFICATION

GENWEC 600mm grab bar in AISI 304 stainless steel (product codes GW11 03 04 01, GW11 03 04 02) or AISI 201 stainless steel (GW11 03 03 00, GW11 03 04 03). Grab bar must have a thickness of 1.5mm and 32mm outside diameter. Clearance between grab bar and wall shall be 44mm. Mounting flanges shall have 3 holes for a firmly wall fixing. Screws shall be concealed with 80mm diameter covers which will snap over mounting flanges to conceal screws.

Grab bar shall be supplied with screws and wall plugs and shall support a static and dynamic load of 120Kg. Grab bar shall conform with harmonized technical specifications covered in regulations EN10213:2007 y EN22768-1:1994.

### SPARE PARTS

GW11 01 90 00 Fixings set