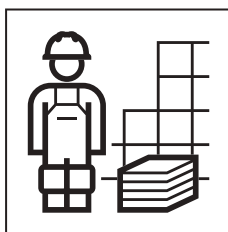


INSTALLATION MANUAL

MONTAGEANLEITUNG
INSTRUCTIONS DE MONTAGE
ISTRUZIONI PER IL MONTAGGIO

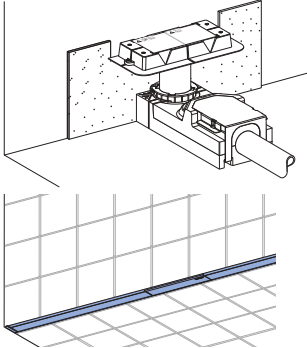


966.682.00.0(08)



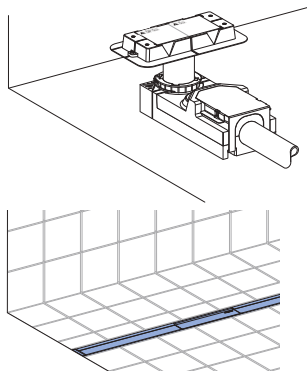


CleanLine20/30/50/60/80



A 2

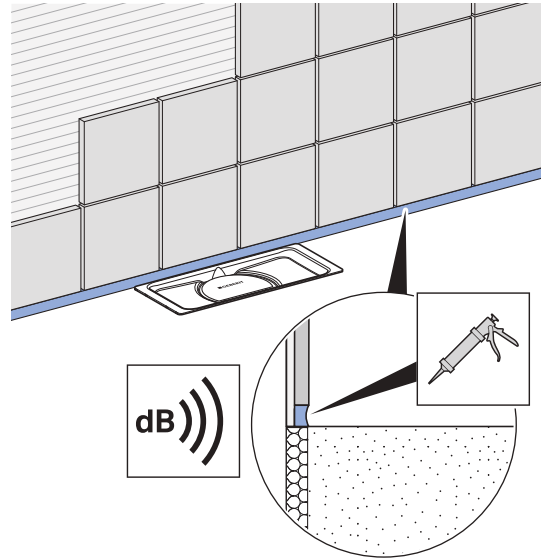
CleanLine20/30/50/60/80



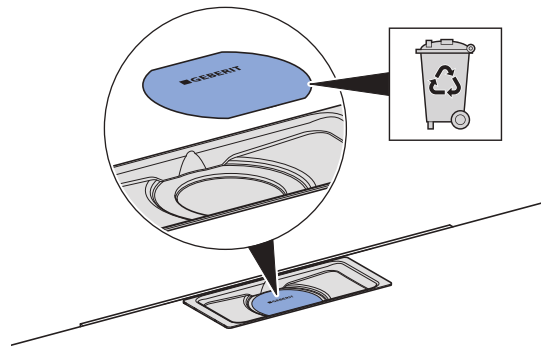
B 5

A

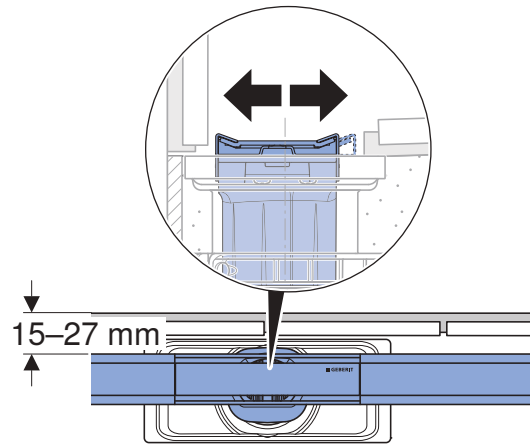
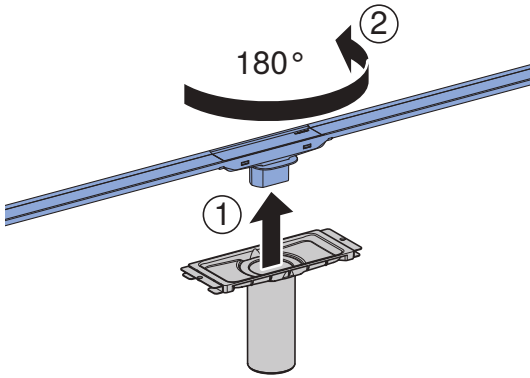
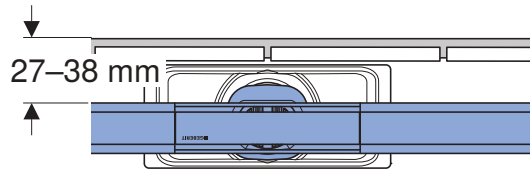
1



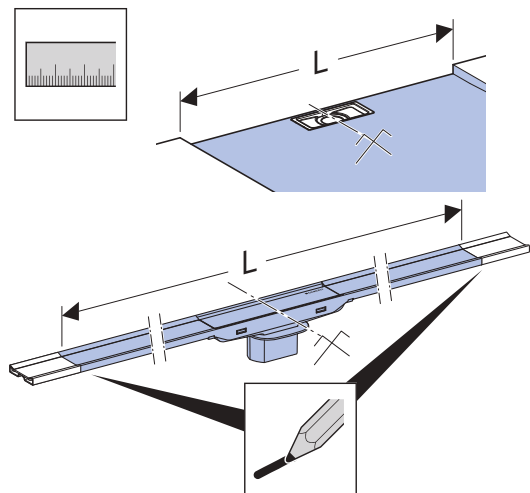
2



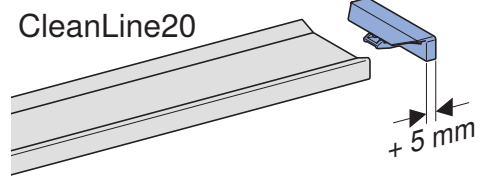
i



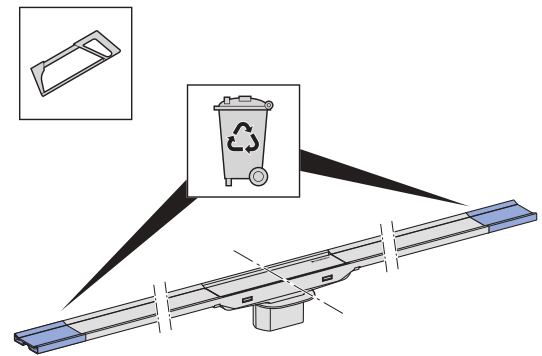
3



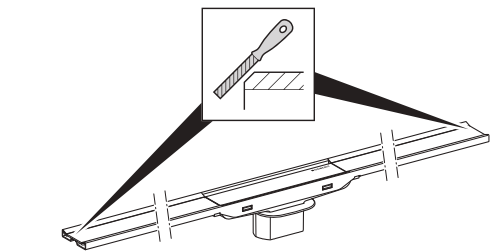
i



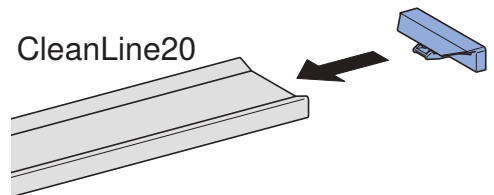
4



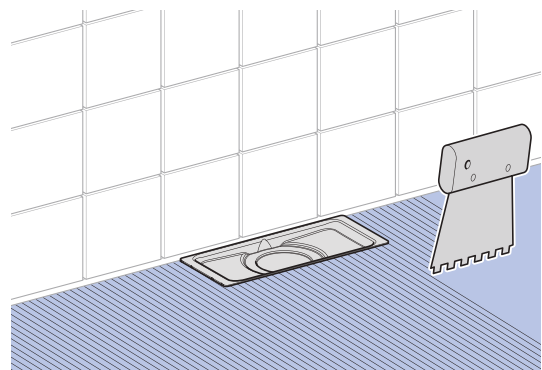
5



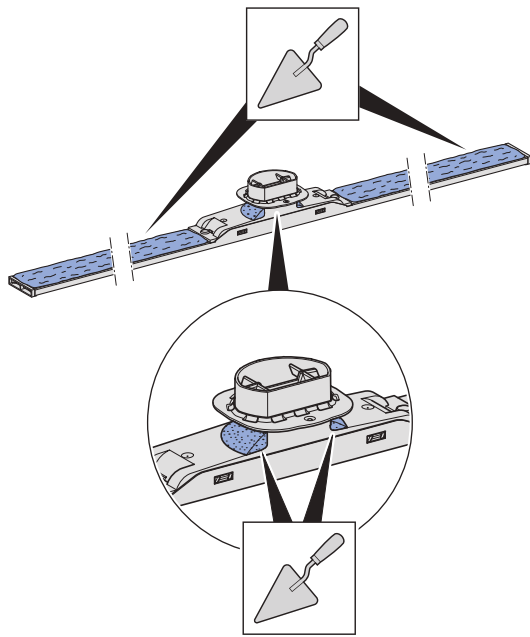
6



7



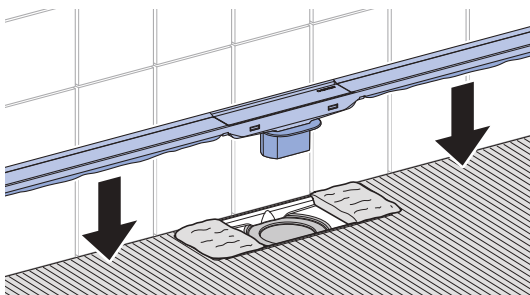
8



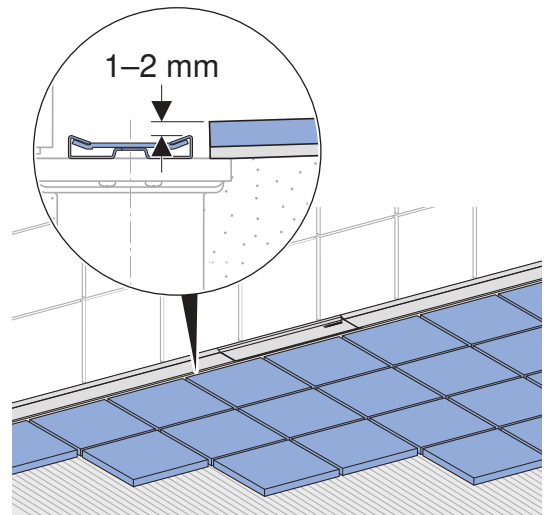
9



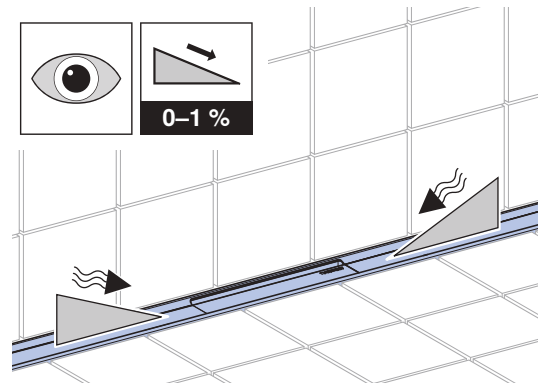
10



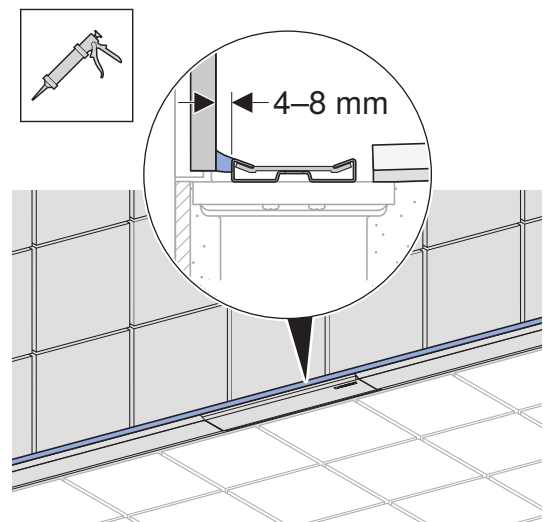
11



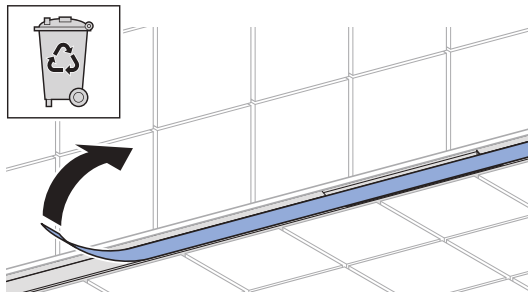
i



12

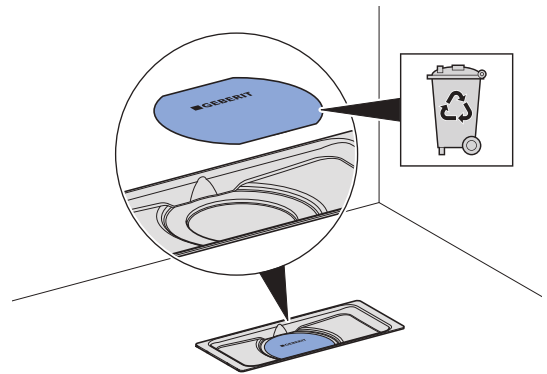


13

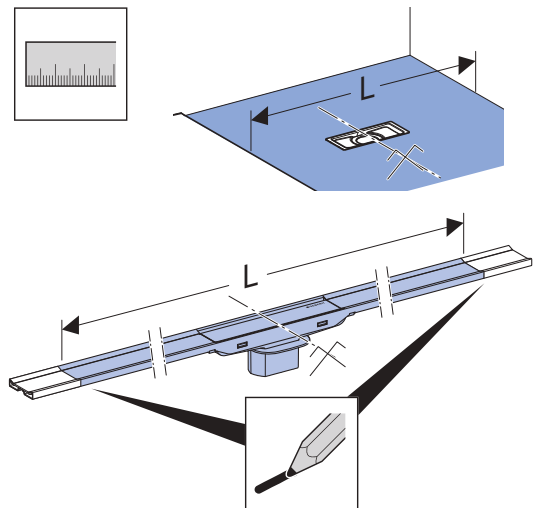


B

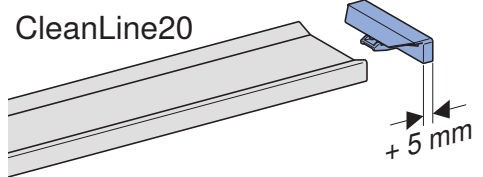
1



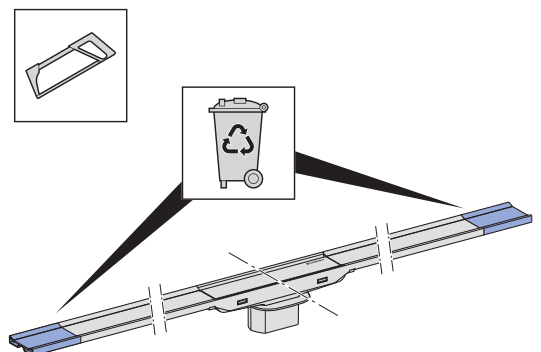
2



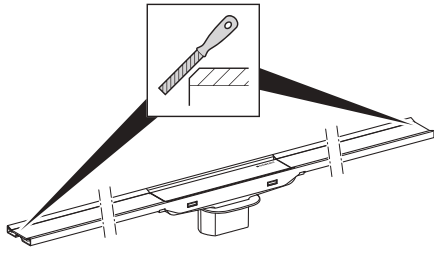
i



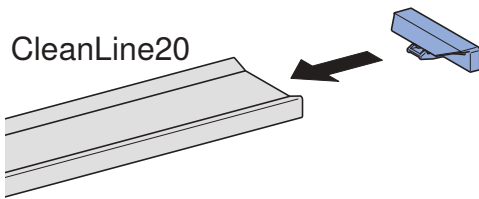
3



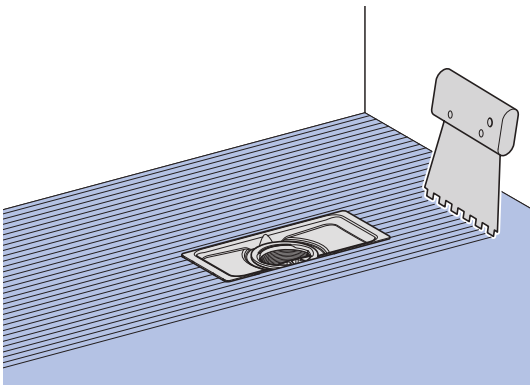
4



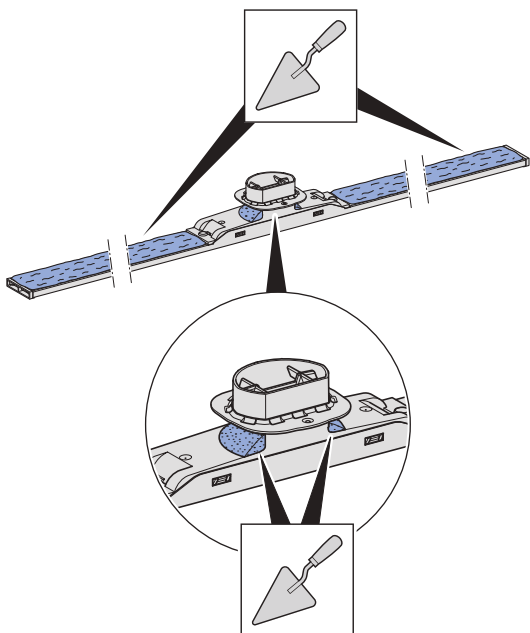
5



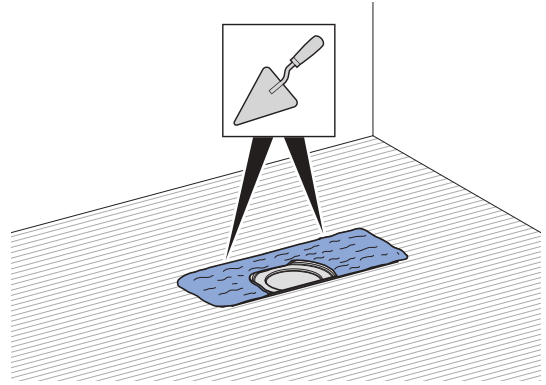
6



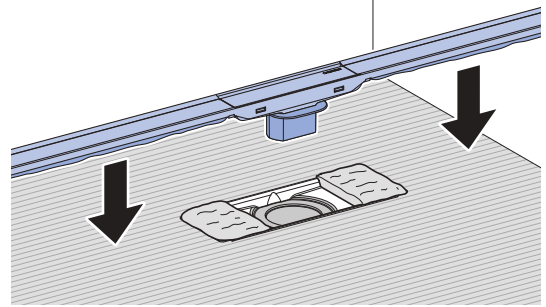
7



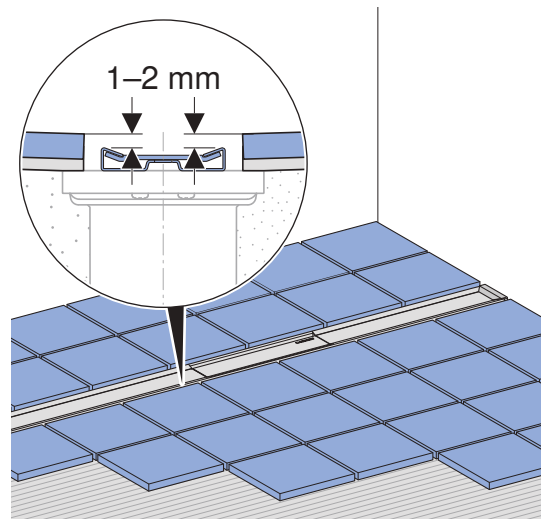
8

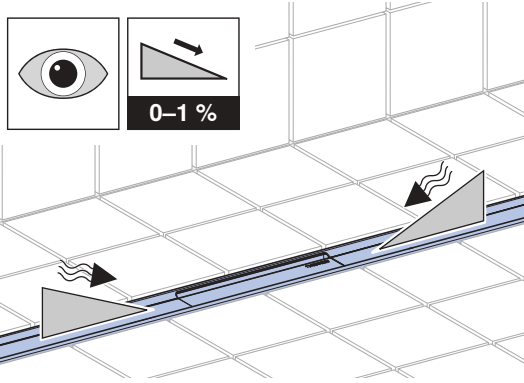


9

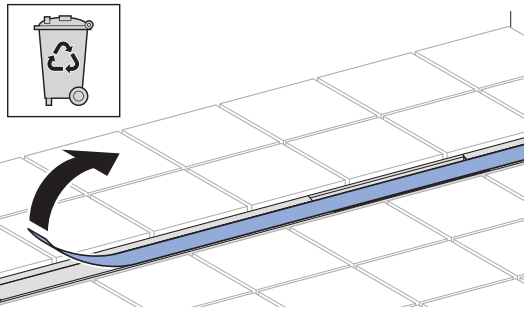


10

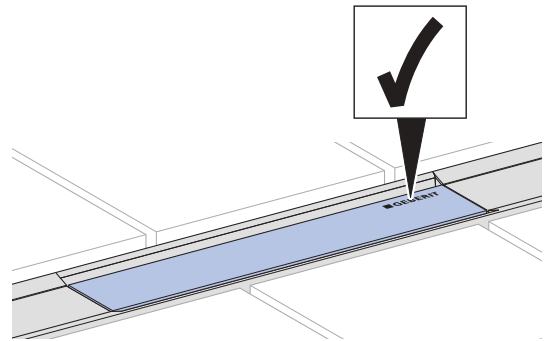
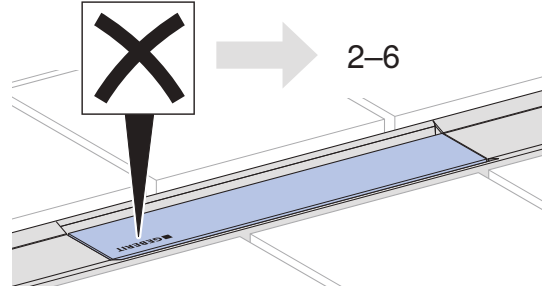




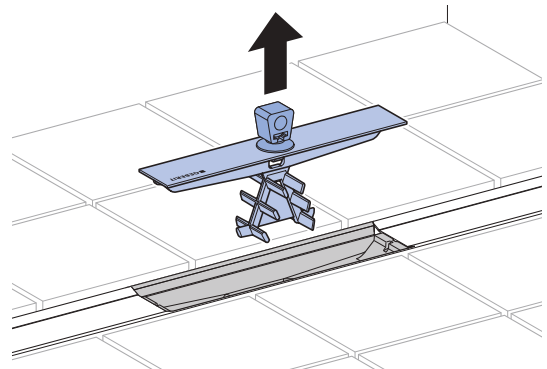
11



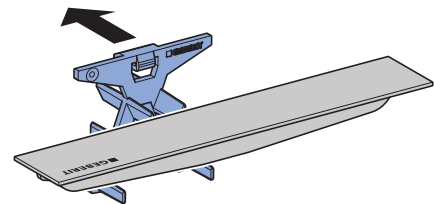
1



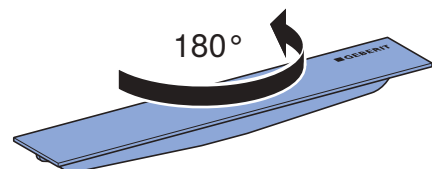
2



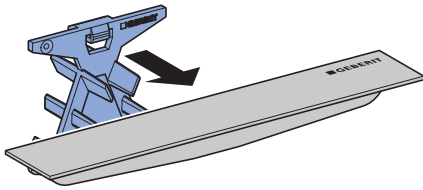
3



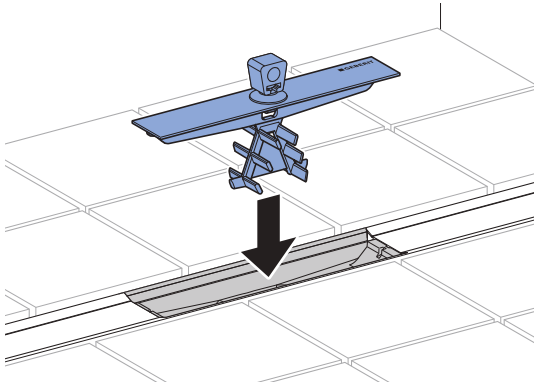
4



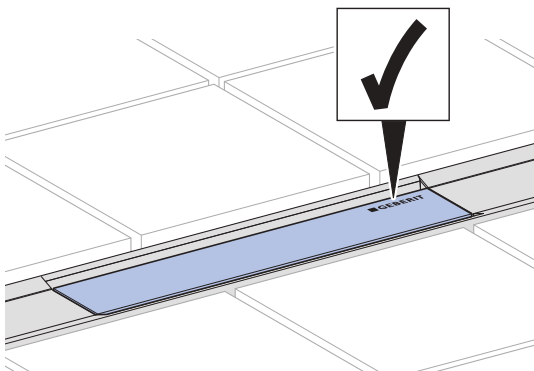
5



6



7



Geberit International AG
Schachenstrasse 77, CH-8645 Jona
documentation@geberit.com
www.geberit.com

