



## BIG RAIN Rainpanel for ceiling installation or ceiling substructure installation - SERIES-VARIOUS Brushed Stainless Steel

41 400 979 Product version up to 4/1/2021



Fits: IMO, LULU, MADISON, MEM, TARA, CL.1, LISSÉ, VAIA, META, CYO

- Rain panel with 2 different spray modes
- PURIFY RAIN, 200 x 160 mm, max. flow rate 23.5 l/min (at 3 bar)
- FULL RAIN, 360 x 280 mm, max. flow rate 13.6 l/min (at 3 bar)
- minimum flow rate 25 l/min (both rain modes together)
- flow at 3bar flow pressure in conjunction with xTOOL: 39l/min
- 2x flexible connection hose 1/2" - female thread
- 4x mounting pin
- pre-fitted stainless steel enclosure
- with anti-scale system

	Brushed Stainless Steel	41 400 979-86
	Stainless Steel	41 400 979-85

### technical data:

- cover plate, stainless steel 600 x 480 mm
- weight: 12kg
- max. flow pressure 4 bar
- minimum flow pressure 2 bar

### Planning tips:

- recommended water hardness: 6-7 °dH - if the water is harder, integrate a water softener that uses the ion exchange principle into the feed pipe.
- for choosing the drainage, taking into consideration the discharge of all the products in the shower, the specific demand needs to be assessed.  
Recommendation: Floor drain (connected rating) = 1l/sec, drainage rate DN 50
- feed pipe (hot/cold): 2x DN 20
- for the optimum choice of hot water storage device - taking into consideration additional drawing-off points and the frequency with which BigRain is used - the specific demand needs to be assessed.

### Notes:

## Recommended miscellaneous

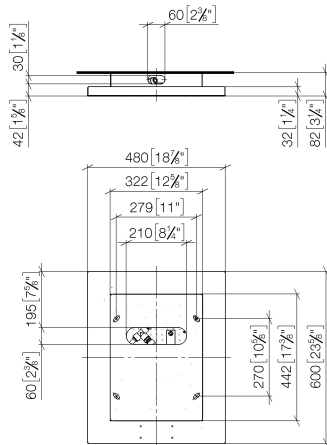


### BIG RAIN Cover for supply pipes - 12 940 979-86 Brushed Stainless Steel

- stainless steel cover 125 x 50 mm
- length 450-480 mm
- for ceiling substructure installation

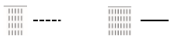
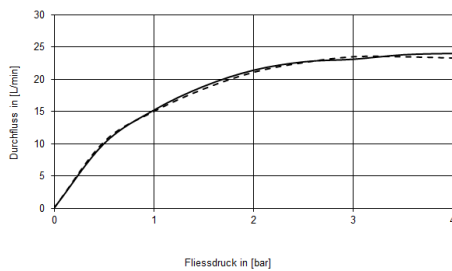
**BIG RAIN Rainpanel for ceiling installation or ceiling substructure installation - SERIES-VARIOUS**  
**Brushed Stainless Steel**

41 400 979 Product version up to 4/1/2021  
 mm [inches]



**Flow rate chart**

Durchflussdiagramm



**Codes & Standards**

DIN 4109

ISO 3822

Ü-Zeichen



**BIG RAIN Rainpanel for ceiling installation or ceiling substructure installation - SERIES-VARIOUS**  
**Brushed Stainless Steel**

---

41 400 979 Product version up to 4/1/2021

Certificates and sustainability

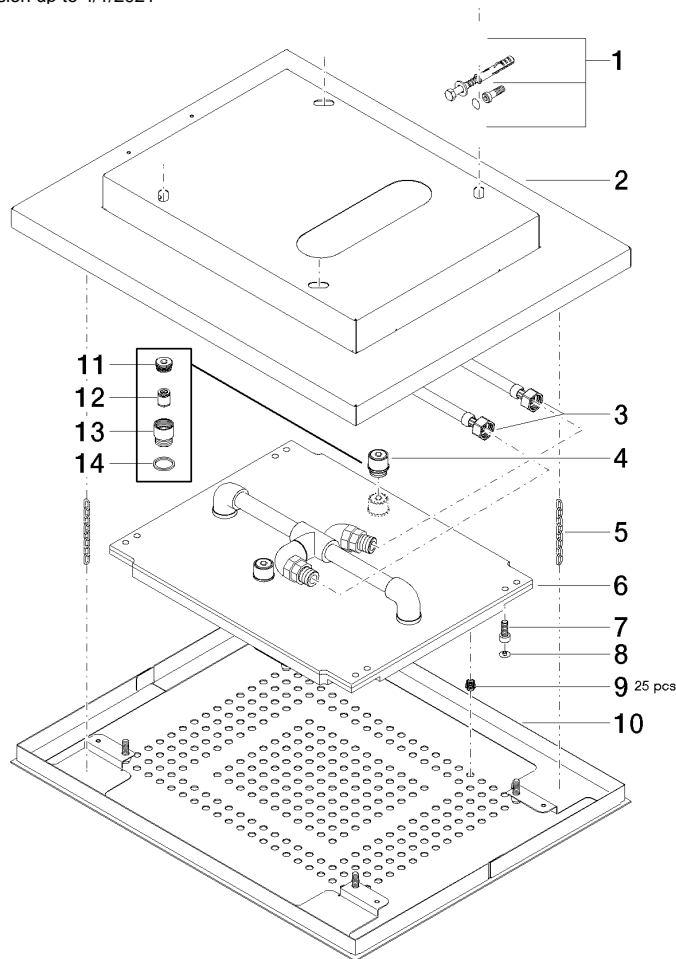
---

LGA\_18

**BIG RAIN Rainpanel for ceiling installation or ceiling substructure installation - SERIES-VARIOUS**  
**Brushed Stainless Steel**

41 400 979 Product version up to 4/1/2021

Parts for other finishes can be found here: [Stainless Steel](#)



**Spare parts list**

No.	Item Number	Name	Quantity used	Delivery time
7	09 30 30 155 90	screw	4.00	2
3	12 502 970 90	High pressure hose 1/2" x 1/2" x 400 mm -	1.00	2
9	90 29 03 035 00 90	insert	10.00	2
5	04 21 50 004 01 90	accessories	2.00	2
12	09 23 01 042 90	insert	1.00	2
13	09 24 03 027 90	nipple	1.00	2
14	09 14 20 025 90	seal	1.00	2
1	04 30 35 010 00 90	fixing set	1.00	2
8	09 31 20 036 90	plug	4.00	2
11	09 24 04 112 10 90	nipple	1.00	2
10	04 11 02 113 02-86	cover	1.00	30
4	90 24 03 027 02 90	nipple	2.00	2
2	04 17 09 001 00-86	casing	1.00	30