









## IMO Wall-mounted single-lever basin mixer without pop-up waste - Brushed Platinum

IMO

36 861 671 Product version from 4/1/2024



- 170mm projection
- fixed spout
- rectangular, air-enriched flow
- hole diameter spout 37 mm
- hole diameter single-lever mixer 57 mm
- rosette for spout 80 x 60mm
- rosette for mixer 80 x 80mm
- max. flow 4.5 l/min
- lead-free
- This product can help a building meet the requirements of Green Building Rating Systems, e.g. LEED®, BREEAM®, DGNB

	Brushed Platinum	36 861 671-06
	Chrome	36 861 671-00
	Dark Chrome	36 861 671-19
	Brushed Light Gold (PVD)	36 861 671-27
	Matte Black	36 861 671-33
	Brushed Gold (PVD)	36 861 671-37
	Brushed Chrome	36 861 671-93
	Brushed Dark Platinum	36 861 671-99

### Required miscellaneous

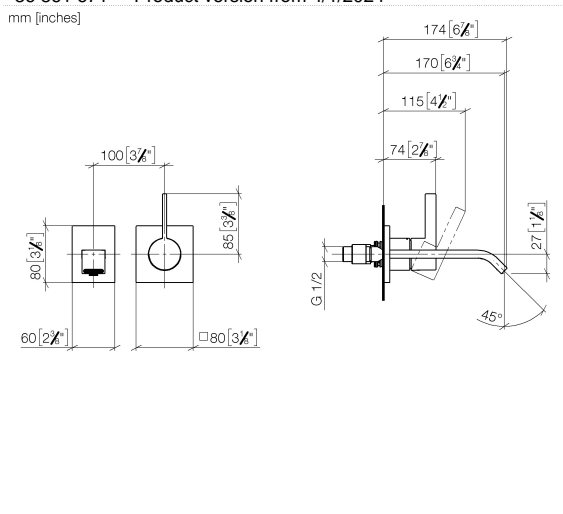


**Concealed wall-mounted single-lever mixer -** 35 860 970 90

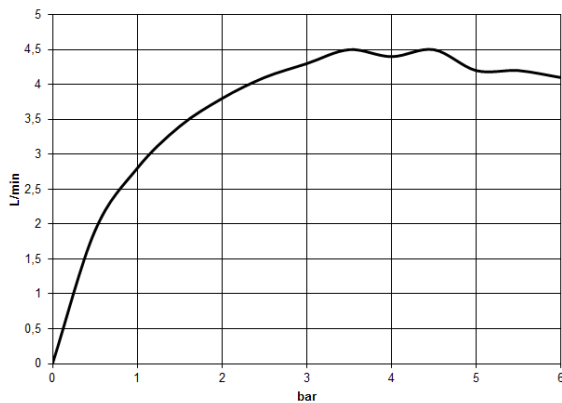
- min. recess depth 75 mm
- max. recess depth 95 mm
- mixer can be placed above, to the left or to the right of the spout.

36 861 671 Product version from 4/1/2024

mm [inches]



**Flow rate chart**



**Codes & Standards**

DIN 4109

ISO 3822

Scottish Water  
Byelaws

UK Water Supply  
Regulations

**Ü-Zeichen**



# IMO Wall-mounted single-lever basin mixer without pop-up waste - Brushed Platinum

IMO

---

36 861 671 Product version from 4/1/2024

Certificates and sustainability

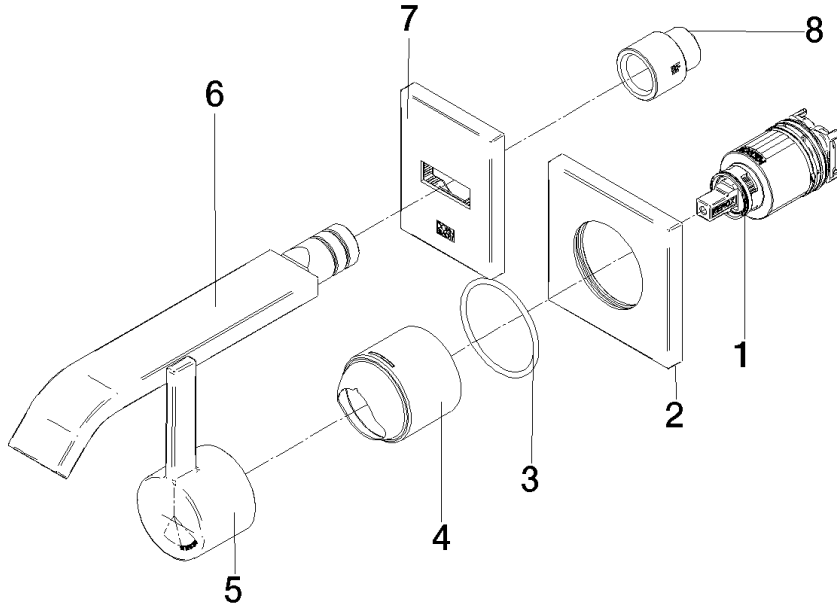
---

LGA\_29

WRAS\_250102

EPD-DOR-20230287  
-IBA1-EN  
Environmental.prod  
uct-declarat

36 861 671 Product version from 4/1/2024



### Spare parts list

No.	Item Number	Name	Quantity used	Delivery time
8	09 24 03 072 10 90	nipple	1.00	2
6	90 28 22 413 00-06	spout	1.00	10
4	09 11 02 287-06	cover	1.00	10
5	90 20 67 020 00-06	handle	1.00	10
3	90 14 10 049 00 90	seal	1.00	2
7	90 27 67 023 00-06	rosette	1.00	10
2	09 27 78 039-06	rosette	1.00	10
1	90 15 05 064 00 90	cartridge	1.00	2