

35 860 970 90 Product version up to 11/11/2021



- 2x female thread 1/2" connections
- 1x female thread 1/2" outlet for wall spout
- 1x female thread 1/2" outlet
- 2x dust cover
- anti-water packing
- soundproofing
- gauge 100 mm
- WRAS

Recommended miscellaneous



**Extension 20 mm -** 12 869 970 90  
 •Not suitable for combining with  
 META PURE (36 86X 664-FF).

Recommended miscellaneous



**Extension 20 mm -** 12 870 970 90  
 •Can only be combined with  
 exposed trim parts 36 86X 664-FF.

Recommended miscellaneous



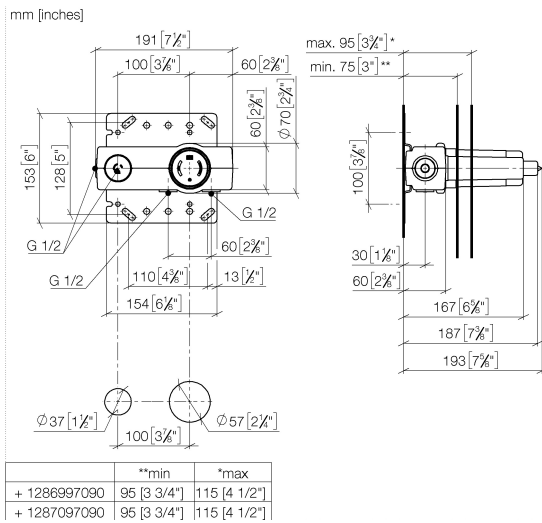
**Drybox Wall-mounted single-lever  
 basin mixer Mixer on right/left/or  
 above -** 39 807 970 90  
 •Overflow is part of the scope of  
 delivery.

Recommended miscellaneous



**Adapter for reversed water  
 connections -** 12 880 970 90  
 •Not suitable for combining with  
 META PURE (36 86X 664-FF).

35 860 970 90 Product version up to 11/11/2021



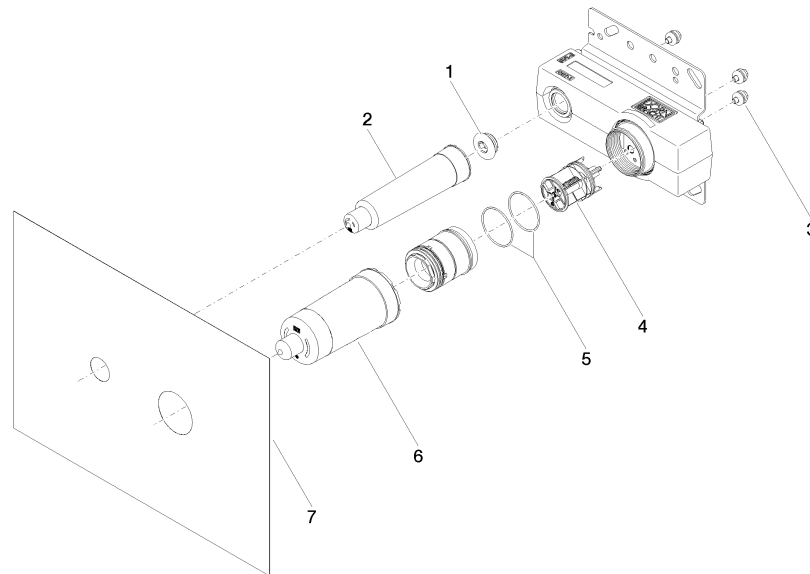
**Codes & Standards**

EN 817	Scottish Water Byelaws	UK Water Supply Regulations	XP P 41-280
--------	---------------------------	--------------------------------	-------------

**Certificates and sustainability**

WRAS_2010	ACS_21 ACC LY	DVGW_DW- 6512DN0	WRAS_2107	EPD-DOR-20230287 -IBA1-EN Environmental.prod uct-declarat
-----------	---------------	---------------------	-----------	--

35 860 970 90 Product version up to 11/11/2021



### Spare parts list

No.	Item Number	Name	Quantity used	Delivery time
5	09 14 10 190 90	seal	2.00	2
1	04 31 20 006 00 90	plug	1.00	2
6	09 21 02 176 90	cap	1.00	60
4	90 31 20 107 00 90	plug	1.00	2
3	90 23 01 091 00 90	set	3.00	2
7	04 14 03 074 01 90	gasket kit	1.00	2
2	90 21 02 190 00 90	cap	1.00	2