

**xTOOL Concealed thermostat without volume control 3/4" - Brushed Platinum** SERIES SPECIFIC

36 503 780 Product version up to 12/31/2021



- cover plate 120 x 120 mm
- temperature control handle with safety limit stop at 38°C
- thermostat cartridge
- WRAS

Fits: IMO, MEM, CL.1, CYO

	Brushed Platinum	36 503 780-06
	Chrome	36 503 780-00
	Platinum	36 503 780-08
	Dark Chrome	36 503 780-19
	Brushed Light Gold (PVD)	36 503 780-27
	Brushed Durabrass (23kt Gold)	36 503 780-28
	Matte Black	36 503 780-33
	Brushed Dark Brass (PVD)	36 503 780-39
	Brushed Bronze (PVD)	36 503 780-42
	Brushed Champagne (22kt Gold)	36 503 780-46
	Champagne (22kt Gold)	36 503 780-47
	Brushed Chrome	36 503 780-93
	Brushed Dark Platinum	36 503 780-99

**Required miscellaneous**



**xTOOL Concealed thermostat module without volume control -** 35 503 970 90  
 • max. recess depth 155 mm  
 • min. recess depth 115 mm

**Recommended miscellaneous**



**xGRID Attachment set for integrating in the dry wall construction -** 12 340 970 90

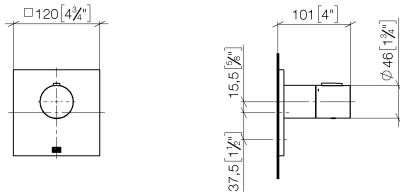
**Required miscellaneous**



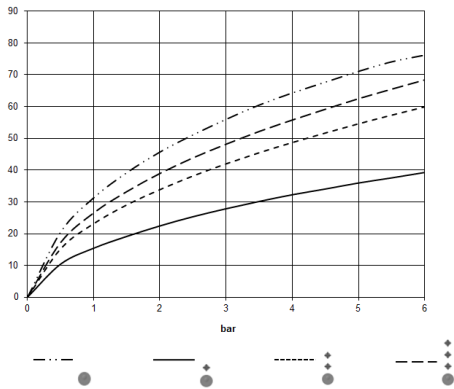
**xGRID Installation track 555 mm -** 12 360 970 90

36 503 780    Product version up to 12/31/2021

mm [inches]



**Flow rate chart**



**Codes & Standards**

DIN 4109

EN 1111

ISO 3822

Scottish Water  
Byelaws

UK Water Supply  
Regulations

Ü-Zeichen



xTOOL Concealed thermostat without volume control 3/4" - Brushed Platinum SERIES SPECIFIC

---

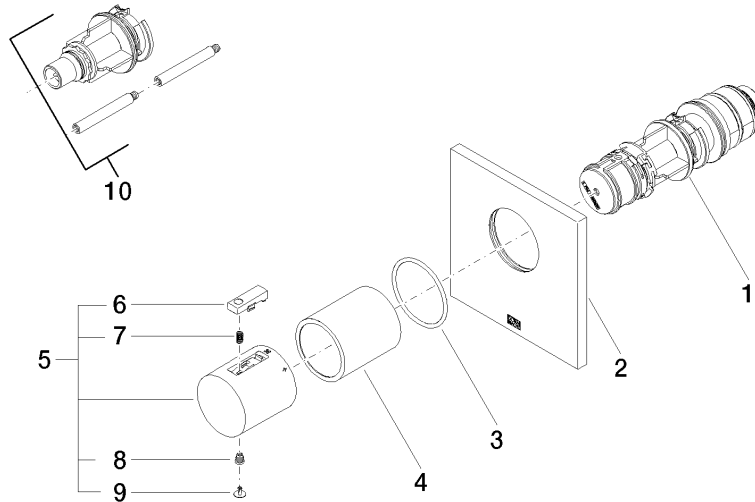
36 503 780 Product version up to 12/31/2021

Certificates and sustainability

---

WRAS_2011	LGA_29	DVGW_DW-6512DN0	LGA_29	LGA_29
-----------	--------	-----------------	--------	--------

EPD-DOR-20230287  
-IBA1-EN  
Environmental.prod  
uct-declarat



### Spare parts list

No.	Item Number	Name	Quantity used	Delivery time
5	90 17 33 004 00-06	handle	1.00	60
2	09 11 02 196-06	cover	1.00	60
10	12 178 970 90	Extension 46 mm -	1.00	2
7	90 16 02 027 00 90	spring	1.00	2
3	90 14 10 049 00 90	seal	1.00	2
8	90 30 30 136 00 90	screw	1.00	2
9	90 31 20 049 00-13	plug	1.00	30
4	90 21 02 112 00-06	sleeve	1.00	10
6	90 21 33 011 00-13	handle	1.00	2
1	90 15 02 063 00 90	cartridge	1.00	2